

NTP/DCF TRANSCODING INTERFACE



The transcoding interface is a system connected to the IT network synchronized by the NTP protocol. It is configurable and supervisable by Ethernet network and allows to distribute the DCF code



Features

- Automatic time setting at power on (depending on NTP configuration)
- Automatically managed summer/winter time change of the output
- DCF output on optocoupler (powered by the equipment)

Supervision

- Communication over Ethernet network, easy configuration by web page
- Supervision by SNMP V1, V2.c and V3 protocol

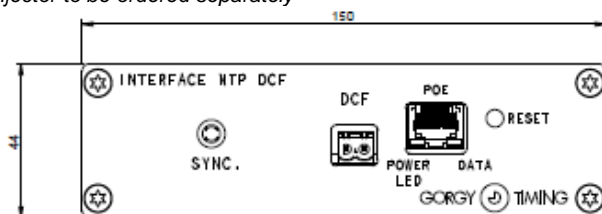
Security

- Time saving information by lithium battery
- Backup of configuration parameters in flash memory
- Encrypted and/or disable network features

Specifications

Power supply	PoE (Power over Ethernet) 90-264 VAC – 50/60Hz (with injector*)
Certifications	CE, EN 62368 (safety), ROHS
Maximum consumption	3 VA
IP	20
MTBF	40 000h
MTTR	5 min
Poids	0.6kg
Dimensions	44x150x104 mm (LxHxD)
Casing	Aluminium
Display	Indicateur LED de fonctionnement
Operating temperature	0 to 50°C
Storage temperature	-20 to 70°C

*Injector to be ordered separately



Key features

- **Configuration** and time setting via web page
- **Compact Product**
- **Supervision** via SNMP v1, v2c, v3
- Program security ensured by saving parameters in flash memory

Synchronization signals

Input:

- NTP v4 Ethernet 10/100Base T input (RJ45 connector)

Output:

- DCF powered by the product between 2 and 10 V
2 points phénix connector

Power supply

- PoE (Power over Ethernet)
- As option PoE injector for 100-240VAC power by PoE

Mounting

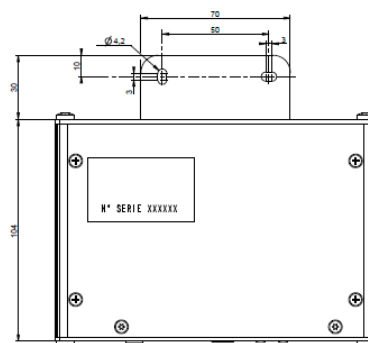
- Wall-mounted with screw fastener
- To put down

Article

ITEM Code	
92230/D – TRANSCODING INTERFACE sync. NTP PoE / DCF output	

Accessories

ITEM Code	
92230-I –POE injector 1x 90VAC-264VAC input for TRANSCODING INTERFACE sync. NTP	



PoE INJECTOR

