



# HANDI® 450 DOUBLE FACE

Analog clock HANDI® Double face  
Aluminium case  
Distance of legibility: 35m



## Time setting

The professional HANDI® clocks can display the same information, by synchronizing through a master clock or a time server.  
On pulse version, the time setting is manual

## Internal time base

HANDI® has its own **temperature compensated TCXO time** base which allows an accuracy about 0.2 sec / day between 0° to 40°C in case of synchronization loss.

## Specifications

<b>Power supply (depending on versions)</b>	230VAC or 110-240VAC 12-24VDC PoE (Power Over Ethernet - IEEE802.3af)*
<b>Certifications</b>	CE, EN 62368, EN 55032, EN 55035, ROHS
<b>IP</b>	IP 40 standard
<b>MTBF</b>	85 000 h
<b>MTRR</b>	15 min
<b>Operating temperature</b>	Without illumination: 0 to +50°C With illumination: -10°C to +50°C
<b>Weight</b>	4.9 kg
<b>Dimensions</b>	Diameter: 441 mm Thickness: 163 mm

\*Cable length available 0.80m

## Storage conditions

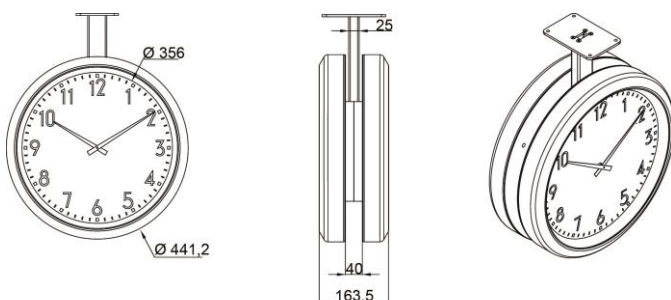
Conditions	Temperature	Hygrometry	Maximum cumulative duration
Extreme	-20°C to 10°C	10 to 85% HR	48h
Extreme	40°C to 70°C	10 to 85% HR	48h
Normal	10°C to 40°C	10 to 85% HR	6 months

The product must be lit for 4 hours every 3 months to keep its characteristics

\*\* see the user manual for more information

## Standard Dial

- Arabic figures screen printed in black
- Black lacquered hands
- Trade mark and logo GORGY TIMING screen printed on the dial



## Key features

- Fast but approximate reading of time +/- 0.5 index**
- Flat aluminium case
- Acrylic front cover (Polymethyl methacrylate)
- Ceiling mounting with bracket or flag
- Time setting by synchronization source
- LED illumination in option
- For indoor use

## Remote management (on NTP version)

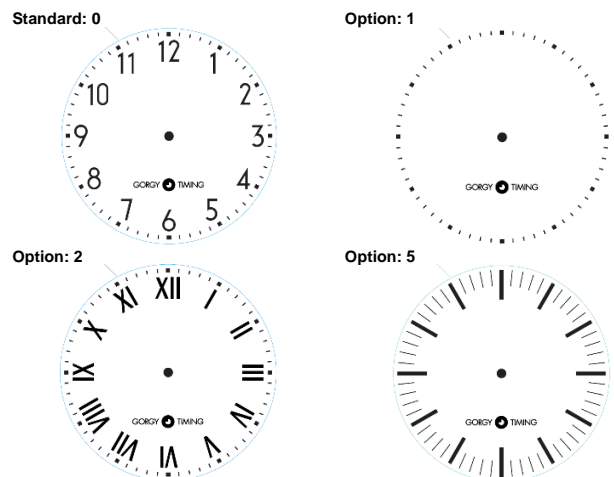
- Synchronisation up to 3 NTP servers
- Time zone selection and automatic summer/winter time change
- Supervision by SNMP v1, v2c
- Accessible configurations by HTTP and/or HTTPS
- IPv4 protocol compatibility

## Synchronisation input

- AFNOR NFS 87500/IRIG B126
- NTP/SNTP (v2, v3, v4) - Ethernet 10/100 base T
- NTP Wi-Fi (IEEE 802.11 a/b/g/n standards 2.4 Ghz)
- ASCII: RS 485
- DCF 24VDC (synchro: DCF code + power: 24V in pair telecom cable)
- Pulse version\*: parallel reversed minute receiver 24V

\*No internal time base

## Dial design



# HANDI® 450 - DOUBLE FACE

		ITEM CODE									
		H	7	4	2 / 4						
		↑	↑	↑	↑	↑	↑	↑	↑	↑	↑
<b>VERSION</b>											
Minute 24V/6mA slave movement (without second sweep hand)	<input type="checkbox"/>	3									
AFNOR NFS 87500 (230VAC power supply)	<input checked="" type="checkbox"/>	9									
AFNOR NFS 87500 (12-24 VDC power supply)	<input checked="" type="checkbox"/>	7									
<sup>(1)</sup> ASCII RS 485* (230VAC power supply)	<input checked="" type="checkbox"/>	Q									
NTP Ethernet 10/100BaseT Synchronization (110-240VAC power supply)	<input checked="" type="checkbox"/>	N									
NTP Ethernet 10/100BaseT Synchronization (Power Over Ethernet)	<input checked="" type="checkbox"/>	P									
NTP Wi-Fi Synchronization (IEEE 802.11 a/b/g/n standards 2.4 Ghz) (110-240VAC power supply)	<input checked="" type="checkbox"/>	W									
DCF 24VDC Synchronization (DCF Code + power 24V in pair telecom cable)	<input checked="" type="checkbox"/>	B									
<b>MOUNTING</b>											
Anodized grey - Ceiling bracket or flag mounting bracket	<input type="checkbox"/>						P				
Specificity (on request)							⊗				
<b>COLOUR CASING</b>											
Anodized grey aluminium	<input type="checkbox"/>							7			
Anodized grey aluminium with LED illumination	<input type="checkbox"/>							H			
<sup>(2)</sup> Specific RAL colour (on request)								⊗			
<b>DIAL DESIGN</b>											
White dial, arabic figures 1 to 12, small indexes	<input type="checkbox"/>								0		
<sup>(3)</sup> Dial following design in data sheet	<input type="checkbox"/>										
<sup>(3)</sup> Specific dial (on request)									⊗		
<b>SWEEP SECONDS HAND OPTION</b>											
Without sweep seconds hand										0	
<sup>(4)</sup> Black sweep seconds hand	<input type="checkbox"/>										N
<sup>(4)</sup> Red sweep seconds hand	<input type="checkbox"/>										G
<b>OPTION</b>											
<sup>(5)</sup> Synchronization loss Led alarm AFNOR in front face	<input type="checkbox"/>										A

- (1) 9600 bauds 8 bits without parity
- (2) Quantity min. 10 units
- (3) Quantity min. 5 units
- (4) Sweep seconds hand not available in pulse version
- (5) Only for AFNOR NFS 87500 versions (version 7 or 9)