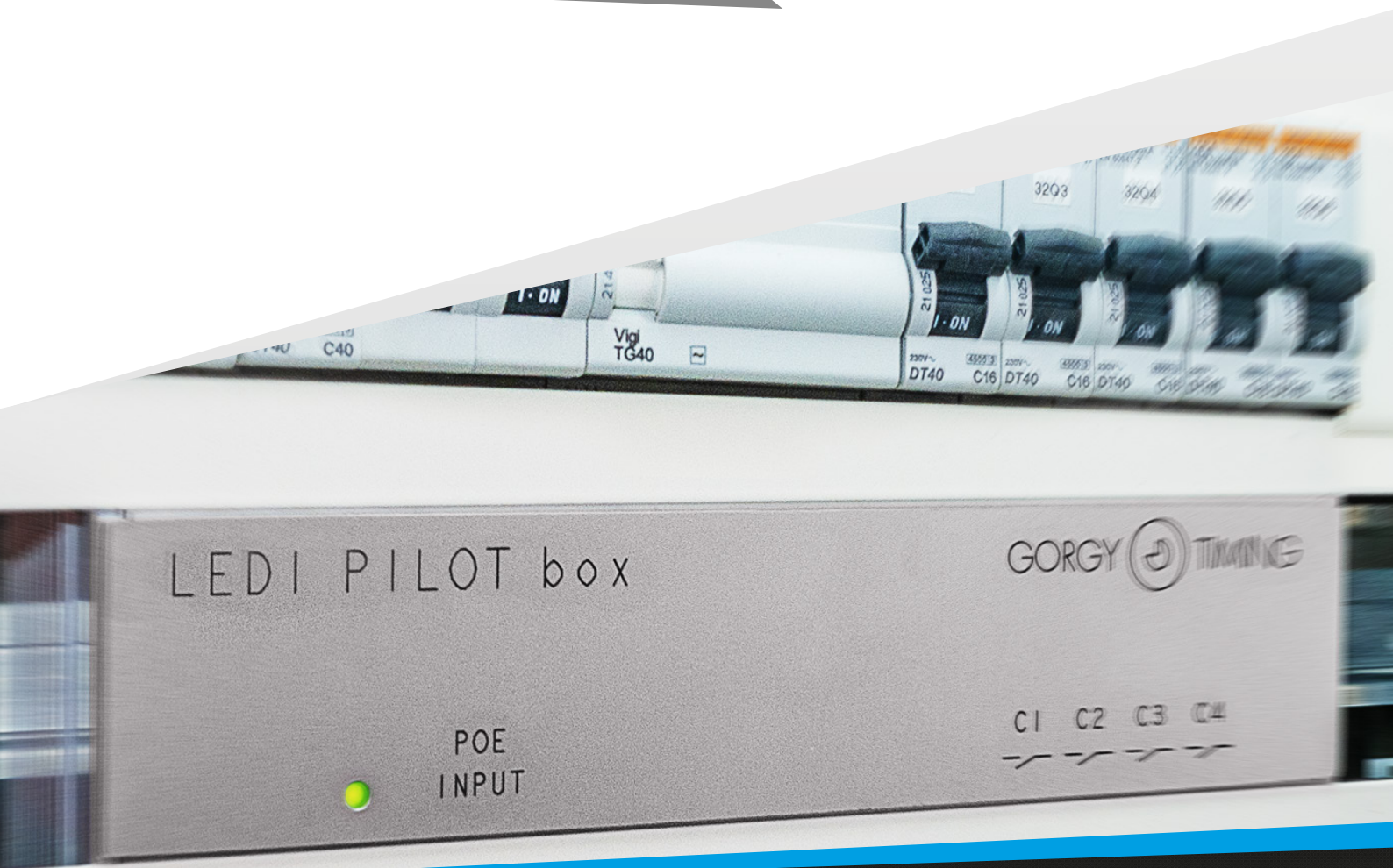


PROGRAMMER BOX

LEDI® PILOT box

Remote control



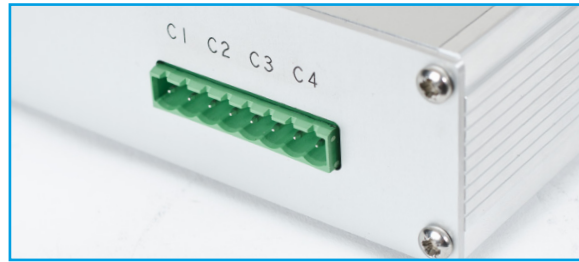
MADE IN FRANCE

GORGY TIME

www.gorgy-time.com

A USER-FRIENDLY PROGRAMMER

A programming box that allows to control several relays through an NTP connection. It can be programmed with an included software.



MORE THAN 100 LEDI®PILOT box CAN BE SIMULTANEOUSLY CONTROLLED

Each programmer commands up to 4 relays, providing you a easier management of building automation even at large sites.



A SINGLE CABLE FOR NTP/PoE

Easy installation with one single cable for power supply and data transmission via Ethernet. The solution allows time saving and improves security of your system. The NTP connection allows time synchronization of each box directly on the computer network..



A MANAGEMENT SOFTWARE

The software enables easy creation and scheduling of events on yearly basis on one or more LEDI®PILOT box. You can also add special events like public holidays and weekends. Daylight Saving Time will be adjusted automatically.

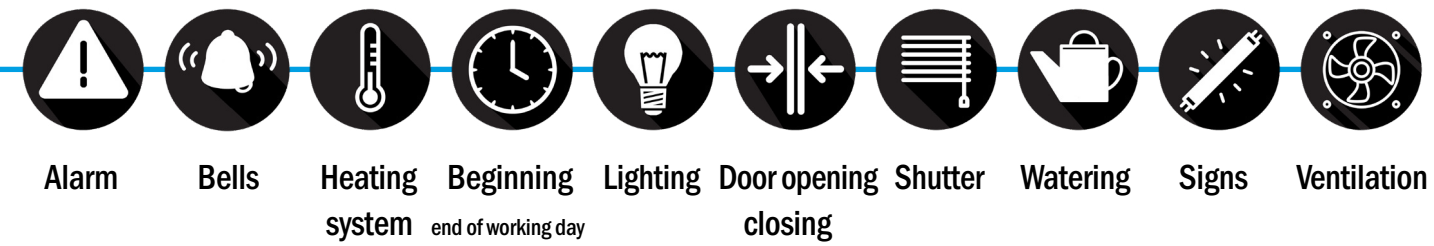


A REMOTE CONTROL

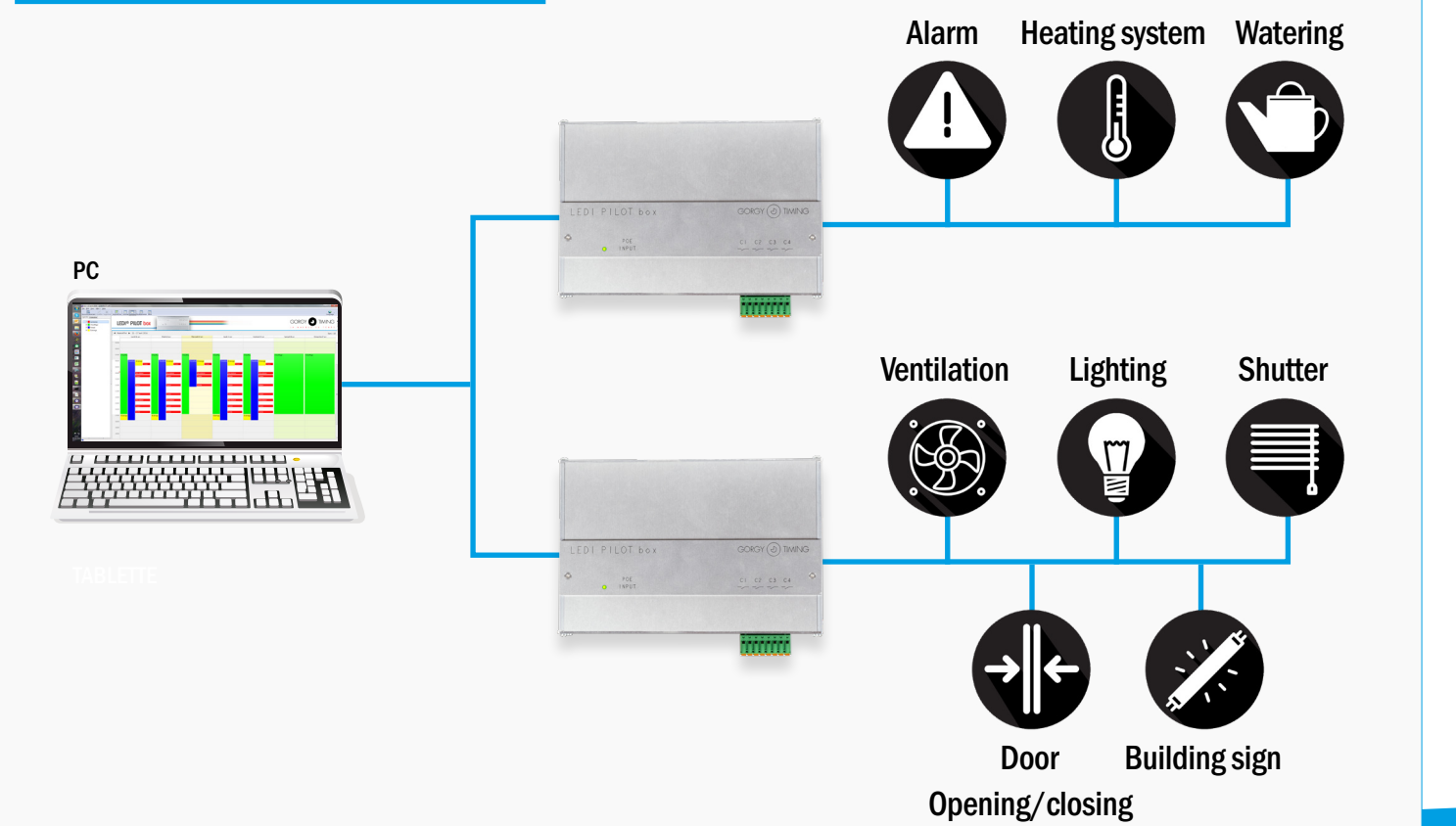
You can take control over the LEDI®PILOT box via a web page available on computers, smartphones and tablets. You can modify the preferences remotely to suit your needs.

FEATURES

From private individuals to the most demanding professionals: **program all your devices.**



Example given for an industry:



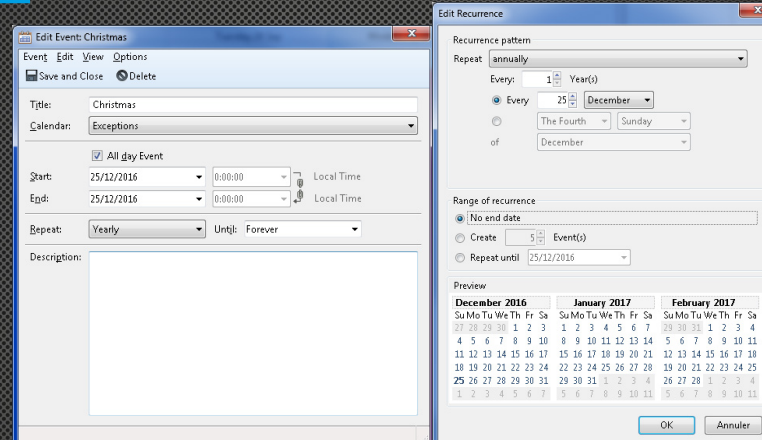
USE OF THE SOFTWARE

1. PROGRAMMER SELECTION

- Choose the programmer(s) to set.
- Connect to internet and open the related page.
- Select the devices to connect.

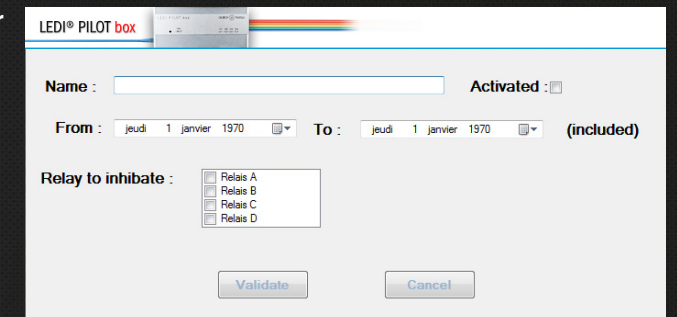
2. EVENT CREATION

- Create events with or without recurrence.
- Choose relevant time, day of the week and weeks.
- Select relays on which to apply the events.



3. EVENT MANAGEMENT

- Set preferences at any time from the software.
- Apply special scheduling for public holidays and vacations.
- Change programmer groups as you wish.

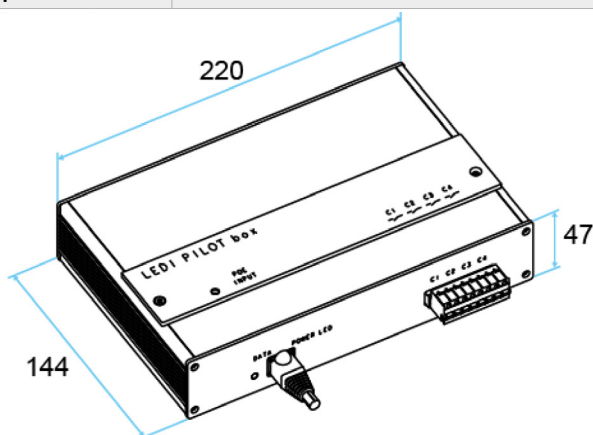


PROGRAMMER BOX

LEDI® PILOT box

Specifications

Synchronisation input	Secured NTP
Power supply	PoE Or 100-240 VAC/50-60Hz (as option)
Certifications	CE, EN 60950 (safety), EN 55022 (EMC Transmission), EN 55024 (EMC immunity)
Maximum Consumption	2.5W + 0.2W per closed relay
MTBF	40 000h
MTRR	5mn
Weight	0.6kg
Dimensions	L 220 X H 144 X D 47mm
Housing	Aluminum Fire resistance UL94-V0
Operating temperature	0° to 50°C
Storage temperature	-20° to 70°C



OPTIONAL SERVICES*

- Presales support.
- Training and Commissioning Assistance.
- Technical support.
- Configuration of the product in factory, on-site or remotely.
- Maintenance contract.
- Installation.

*Information available from the GORGY TIME sales department.

Key features

- NTP time synchronization, Daylight Saving Time changes of relays is managed automatically.
- Configuration and time settings can be done remotely via the Ethernet network.
- Communication on the Ethernet network and easy configuration on a web page (user friendly HMI).
- Management of exceptions, switch function ON/OFF or Pulse.
- Integrated supervision by SNMP protocol (v1, v2.c and v3).
- Secured programs by configuration backup file on flash memory.

Programmer

The programmer works on a weekly basis and integrates the annual programming of holidays and weekends. Switching can be set on pulse or on/off mode.

- Simplified programming with a Windows software.
- 4 independent relays, voltage-free output, breaking capacity 250 volts 8A (or 12A in option).

CERTIFICATIONS



All GORGYTIME's products meet requirements under:

- **EN 62368-1 (2020)** **EN 55035:2017/A11:2020**
- **EN 62311:2008** **EN 61000-6-2:2005/AC:2005**
- **EN 50121-4:2016/A1:2019** **RoHS.**
- **EN 55032:2015/A11:2020**
- Our company is certified **ISO 9001** and **ISO 14001**.

MADE IN FRANCE

GORGY TIME

Quartier Beauregard - 38350 La Mure d'Isère (Grenoble, France)

Phone: +33 476 30 48 20

e.mail: export@gorgy-time.com www.gorgy-time.com